



SHEET NUMBER

A1

Revision #:

SCALE: SEE VIEW

DATE: \_\_\_\_ 2012

DRAWN BY: SH

SAUNA MASTER  
BATH

PRESENTATION  
VIEWS

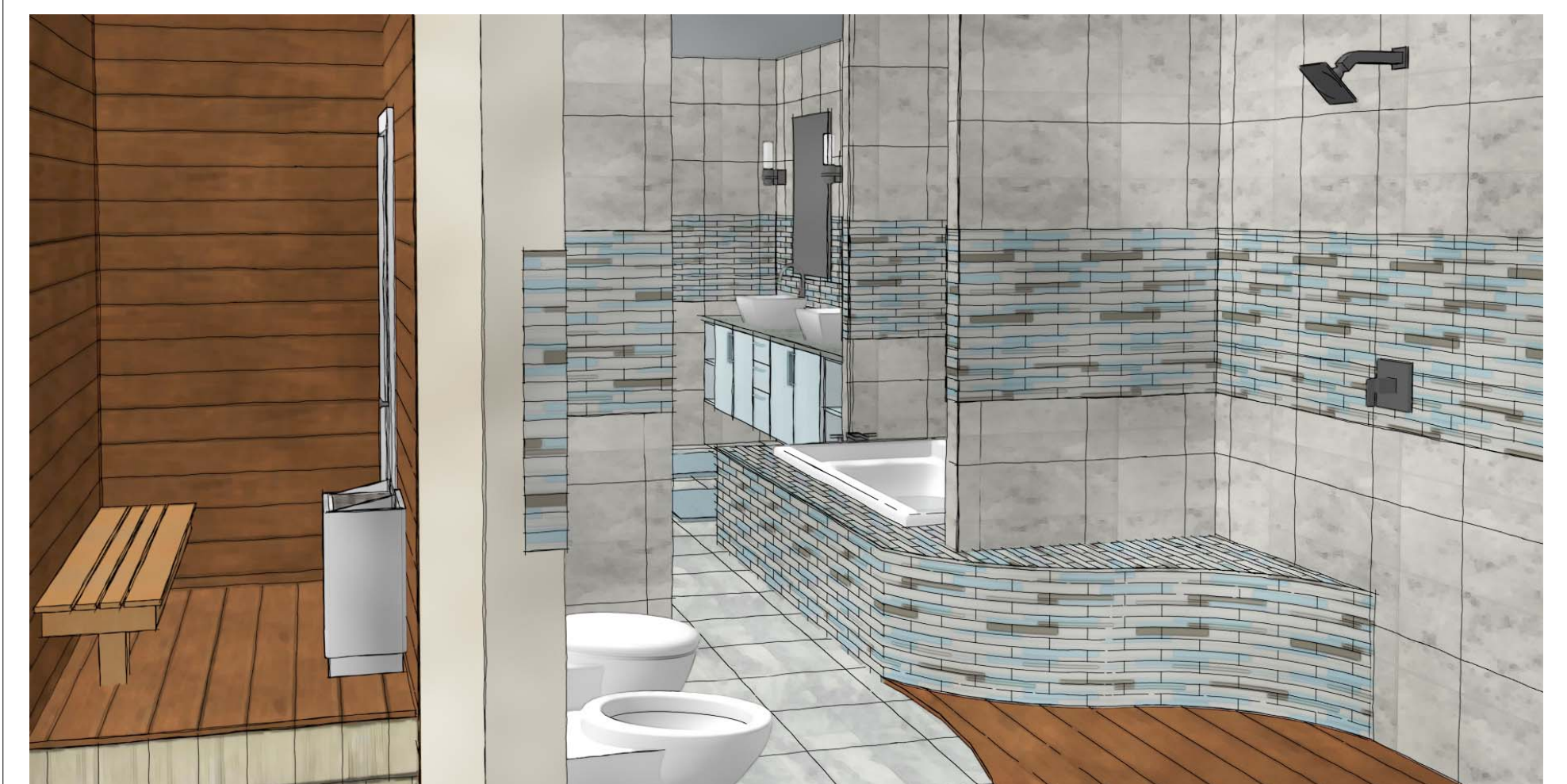
Overview - Watercolor



Floor View Left - Watercolor



Floor View Right - Watercolor

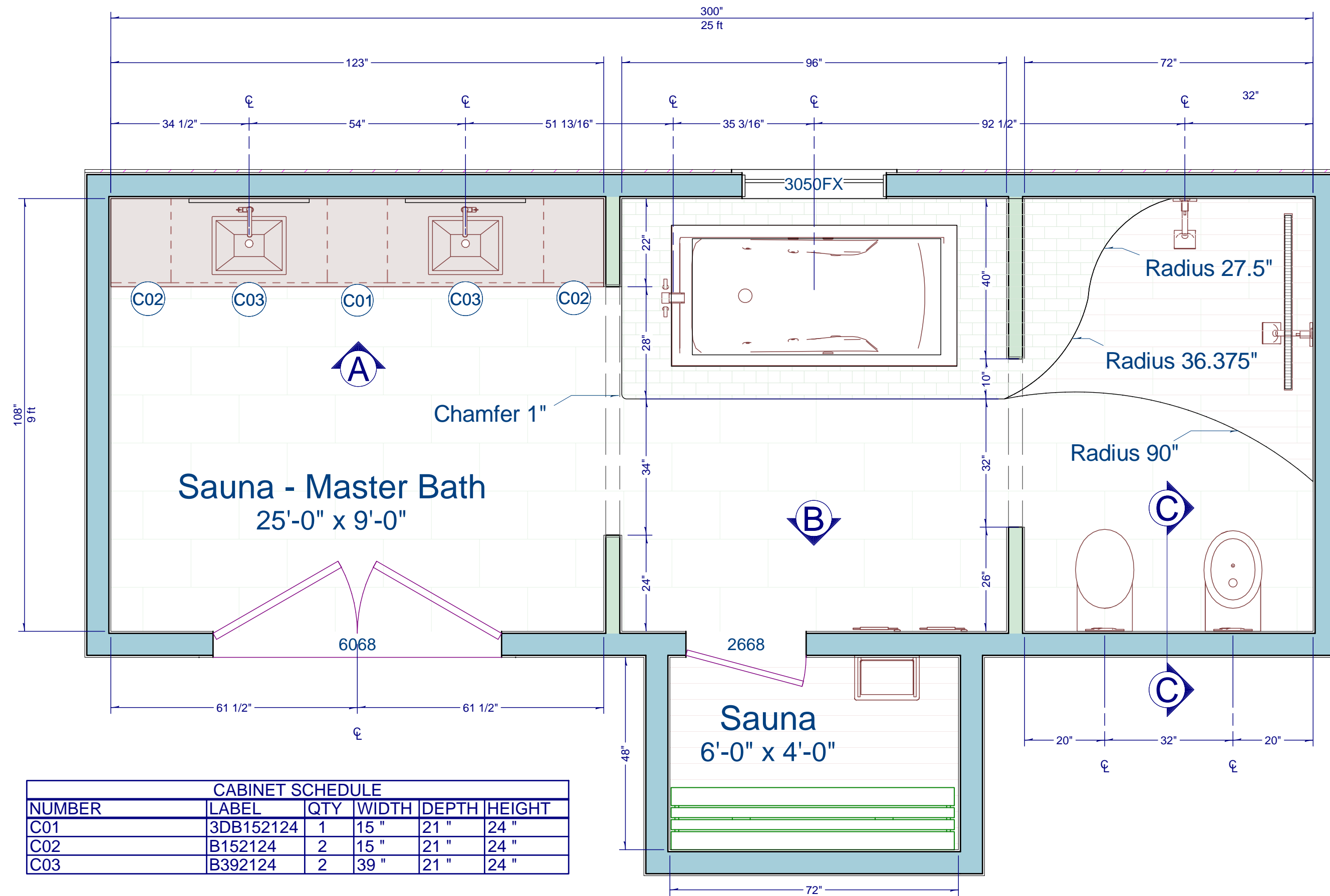


**Chief Architect**<sup>®</sup>

6500 N. Mineral Dr. Coeur d'Alene, ID. 83815  
800-482-4433  
www.chiefarchitect.com

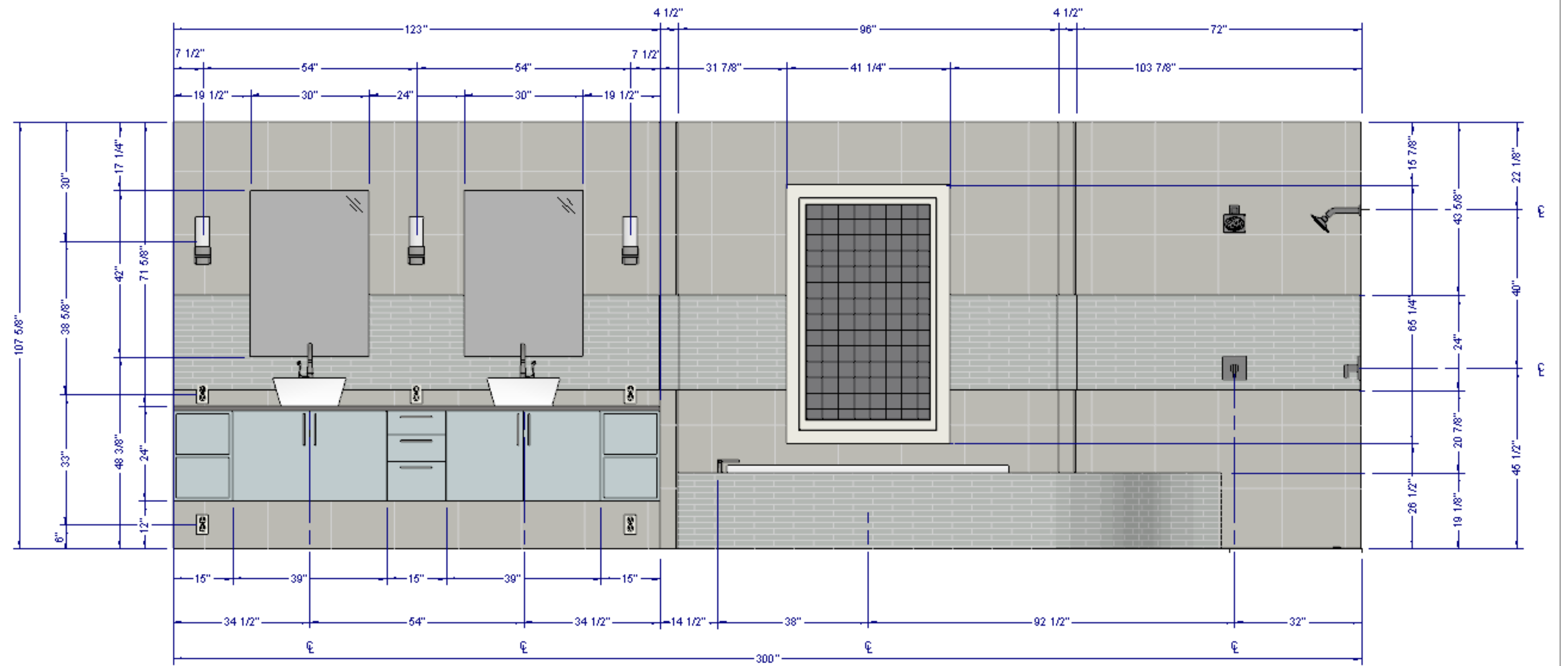


# SAUNA MASTER BATH

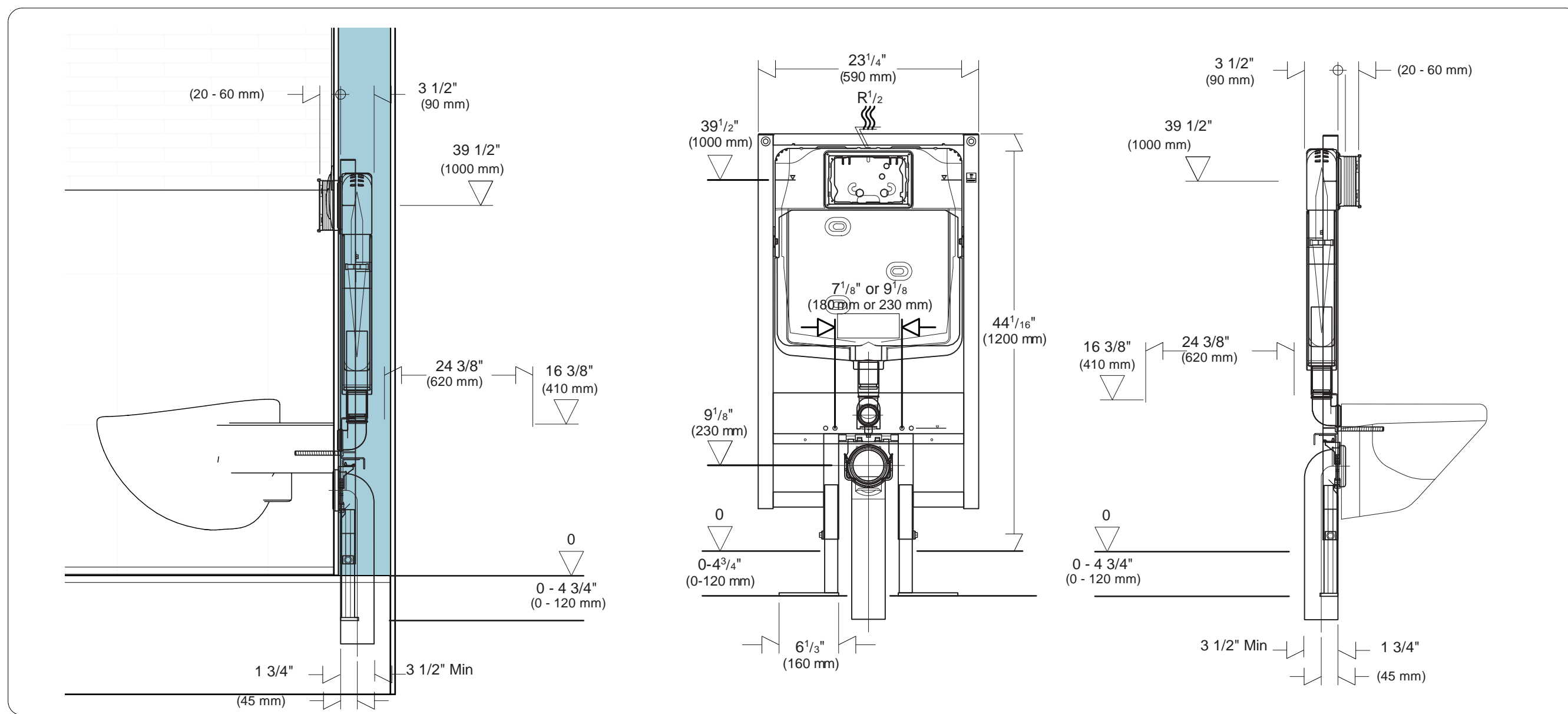


CABINET SCHEDULE					
NUMBER	LABEL	QTY	WIDTH	DEPTH	HEIGHT
C01	3DB152124	1	15"	21"	24"
C02	B152124	2	15"	21"	24"
C03	B392124	2	39"	21"	24"

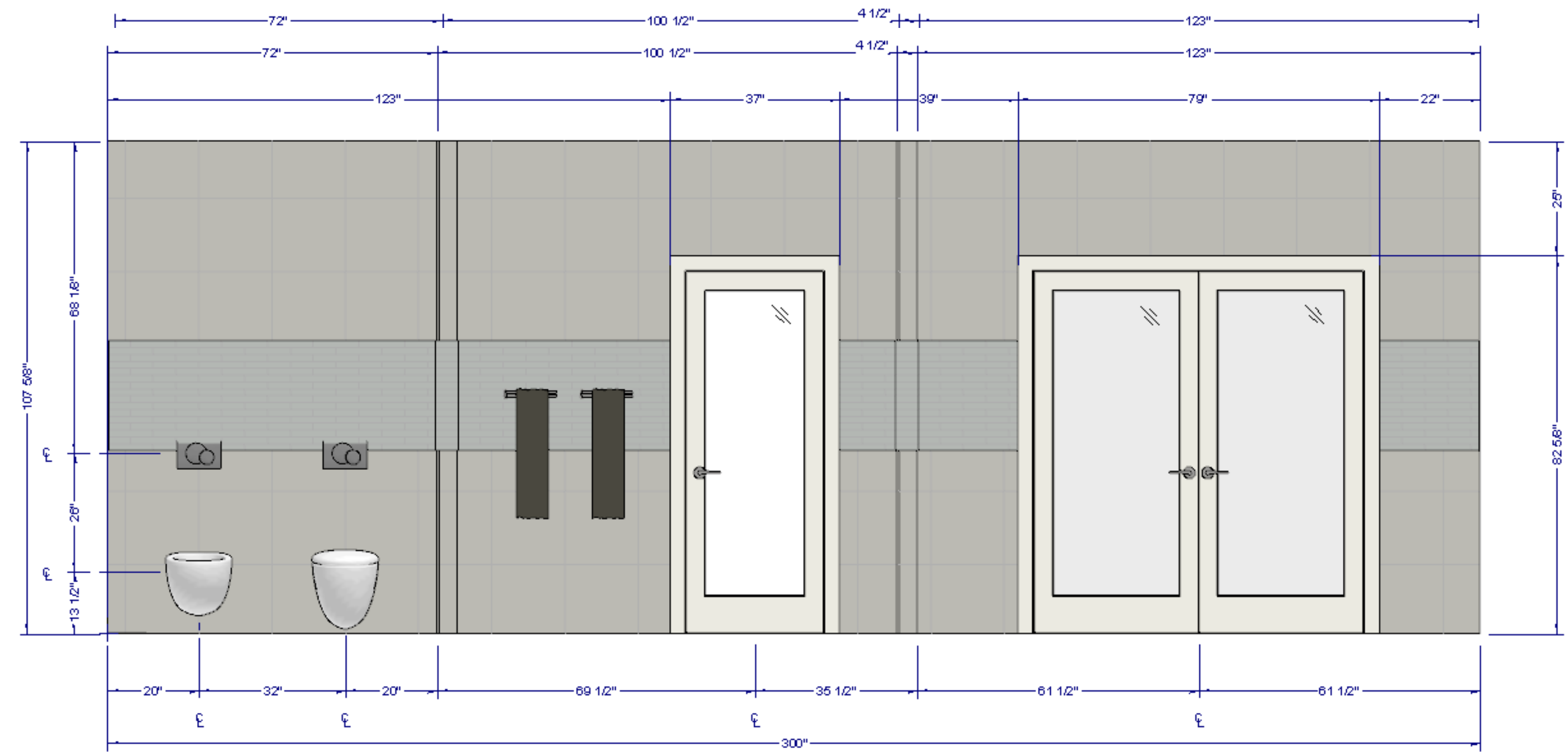
SAUNA MASTER BATH FLOOR PLAN  
1/2" = 1'



N. WALL ELEVATION  
no scale



GEBERIT IN-WALL FLUSHING MECHANISM  
no scale



S. WALL ELEVATION  
no scale

SHEET NUMBER

A2

SCALE: SEE VIEW

DATE: 2012

DRAWN BY: SH

SAUNA MASTER  
BATH

FLOOR PLAN  
ELEVATIONS  
SECTION DETAILS

Chief Architect®

6500 N. Mineral Dr. Coeur d'Alene, ID 83815  
800-482-4433 www.chiefarchitect.com

