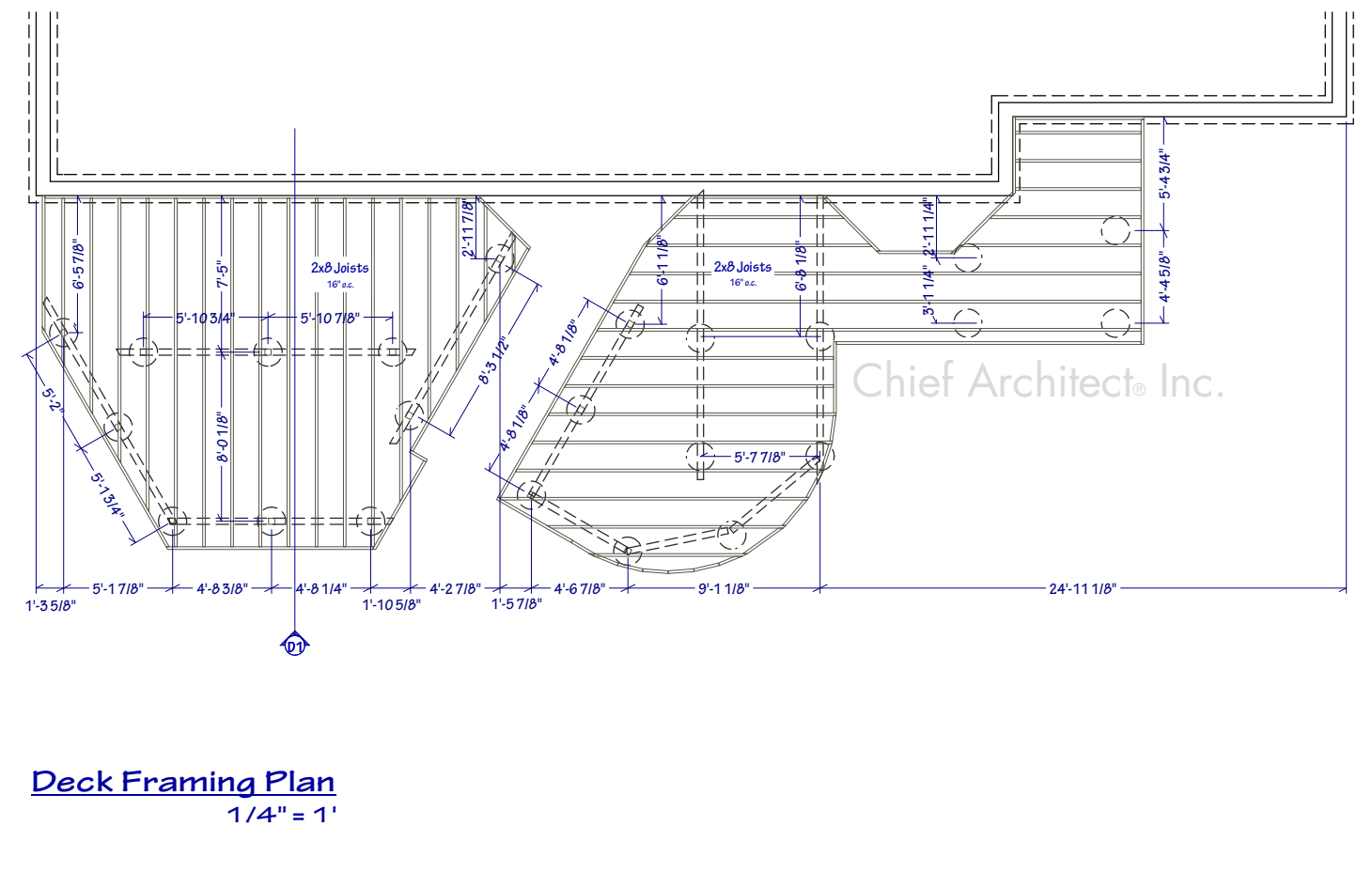


**Deck Plan View**  
1/4" = 1'



**Deck Framing Plan**  
1/4" = 1'

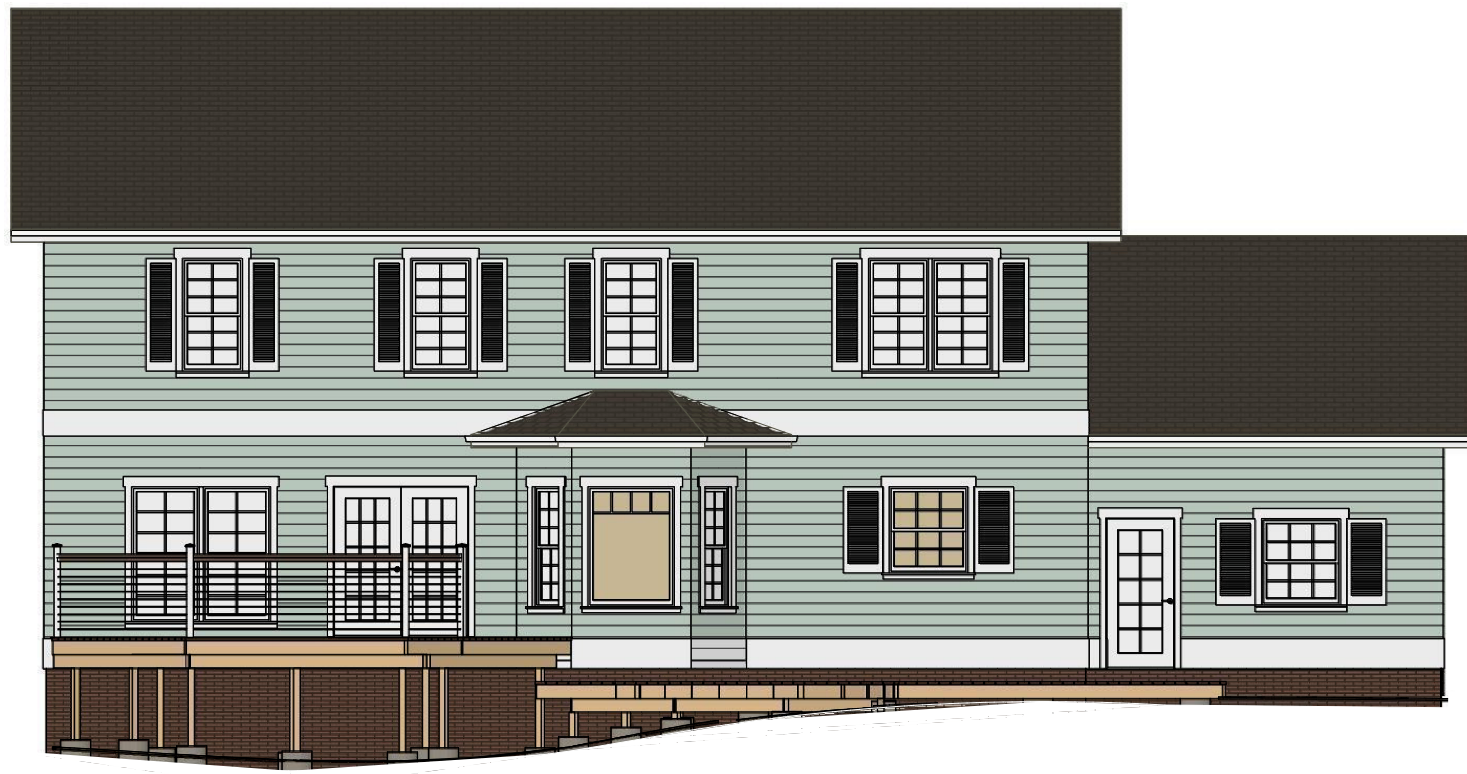


**3D Deck View**  
not to scale

**Materials List - Chief Deck**

Deck Planks	Desc.	Item	Quantity	Unit	Price	Subtotal
DW64	2" x 6" - 16'-0"	deck planks	34		\$16.00	\$544.00
DW65	2" x 6" - 20'-0"	deck planks	39		\$22.00	\$858.00
DW66	2" x 6" - 12'-0"	deck planks	10		\$12.00	\$120.00
DW67	2" x 6" - 10'	deck planks	32		\$10.00	\$320.00
DW68	2" x 2 1/2" - 4"	deck planks	2		\$12.00	\$24.00
<b>Subtotal:</b>						<b>\$1,866.00</b>
Foundation						
FO1	8" thick	Concrete	5.03	cu yd	\$95.00	\$477.85
FO2	1/2x6"	foam sill seal	25	ft	\$1.50	\$37.50
FO3		foundation bolts	12		\$3.00	\$36.00
FO4	16x8"h	concrete footing	2.37	cu yd	\$95.00	\$225.15
FO5	no. 4	rebar (footing)	29	ft	\$2.25	\$65.25
FO8	12" thick	post footing - concrete	1.55	cu yd	\$95.00	\$147.25
<b>Subtotal:</b>						<b>\$989.00</b>
<b>Total Materials:</b>						<b>\$2,855.00</b>





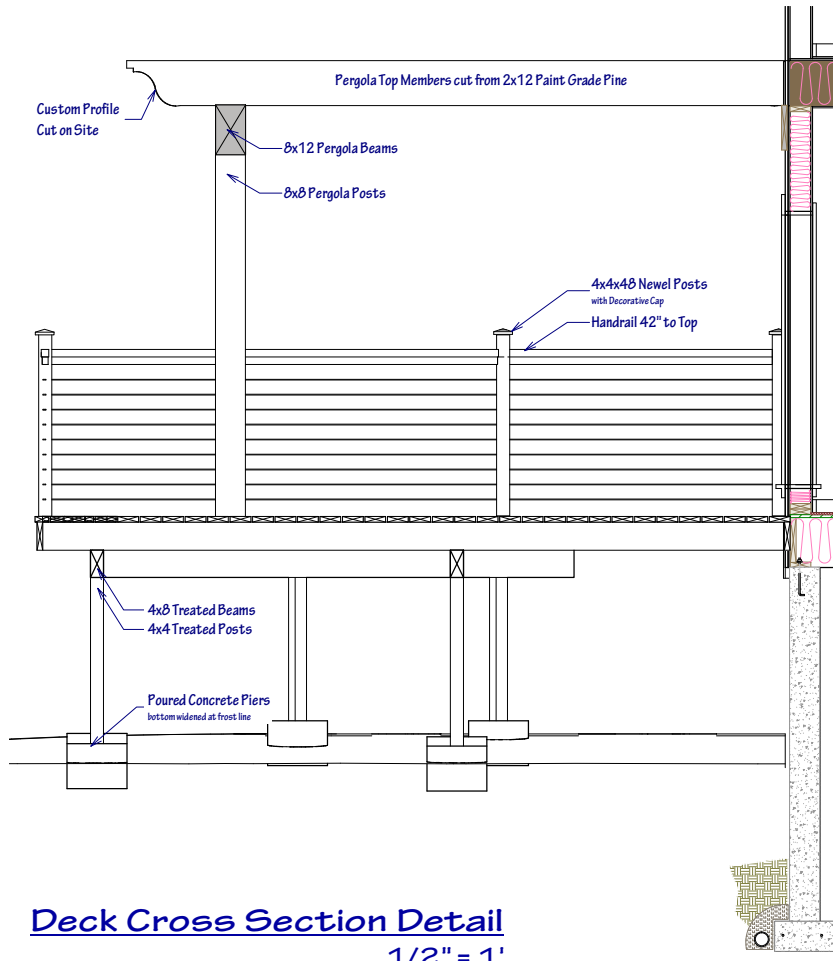
**Rear Elevation View**  
1/4" = 1'



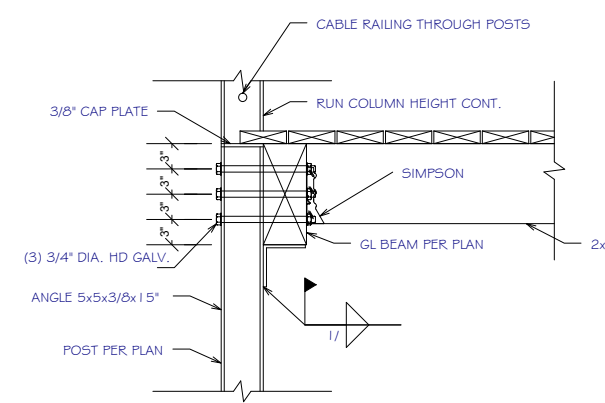
SHEET NUMBER  
**A2**

SCALE: SEE VIEW  
DATE: OCT. 2010  
DRAWN BY:

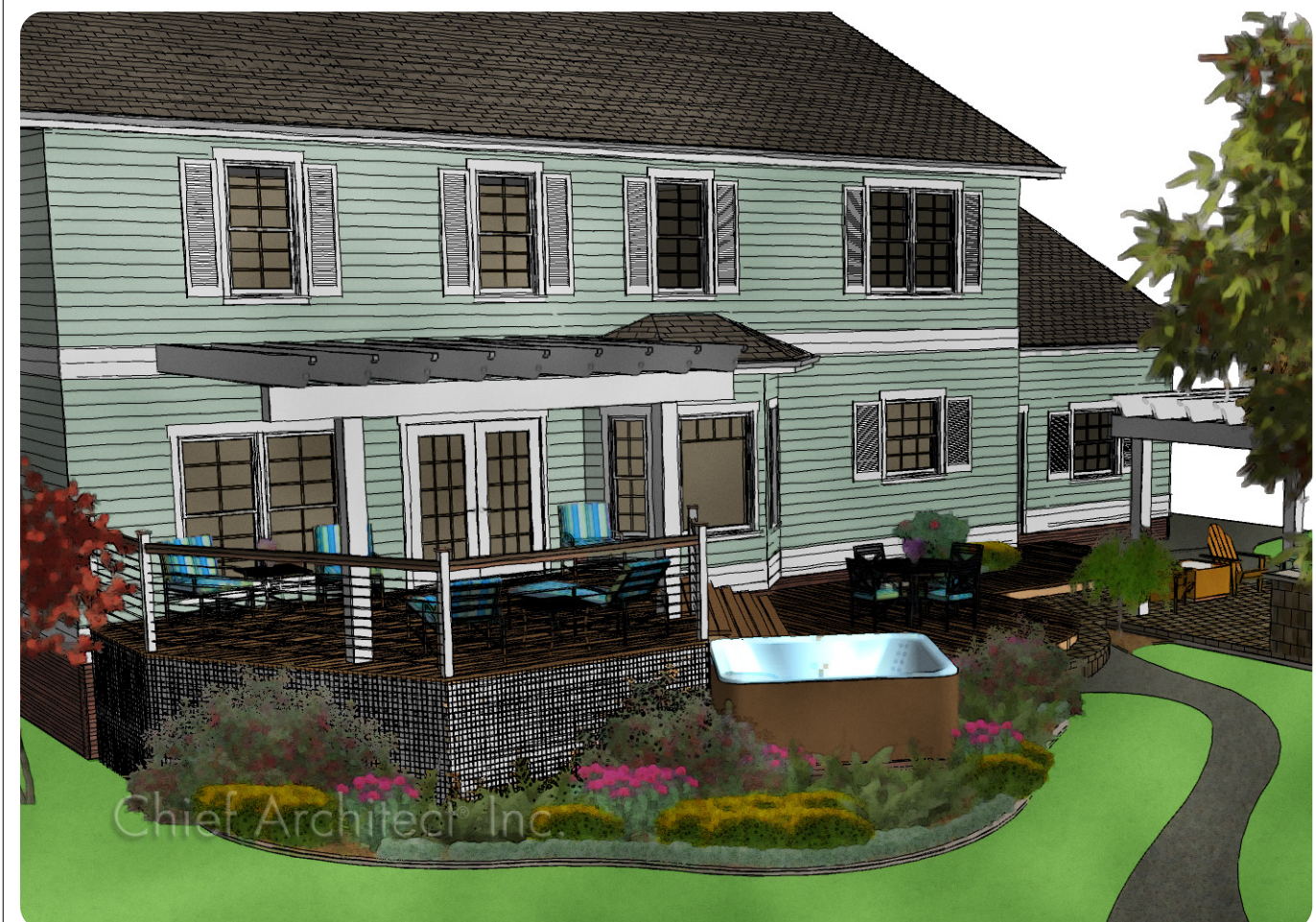
Page Info: **PRESENTATION VIEWS**



**Deck Cross Section Detail**  
1/2" = 1'



**Deck Railing Connection Detail**  
3/4" = 1'



Project: **CHIEF DECK**

**Chief Architect**  
6500 N. Mineral Dr. Coeur d'Alene, ID 83815  
800-482-4433  
www.chiefarchitect.com

